

Fine Dust Room Sensors

QSA2700D / QSA2700 / AQS2700



The sensors acquire the PM2.5 and PM10 concentration in the room.

- Operating voltage AC/DC 24 V
- Signal output DC 0...10 V for PM2.5 and PM10
- Communicative output, Modbus RS485
- Range of use 0...50 °C / 5...95% r.h. (non-condensing)

Use

The fine dust room sensor is designed to measure and transmit indoor concentrations of PM2.5 and PM10.

- 0...10 V and Modbus output
- Configurable Modbus parameters
- Plug&play configuration for Siemens Climatix™ controller
- QSA2700:
 - 3-color LED service indication
- QSA2700D:
 - 2.4-inch color LCD screen for PM2.5 values and AQI indication
 - Energy efficient mode: The screen is off if no one is in front of the sensor (within 1 m for several minutes)
 - Micro USB DC 5V for display
 - 4 selectable languages: English, Chinese (default), German, French
 - 3 selectable Air Quality Index classes

Type summary

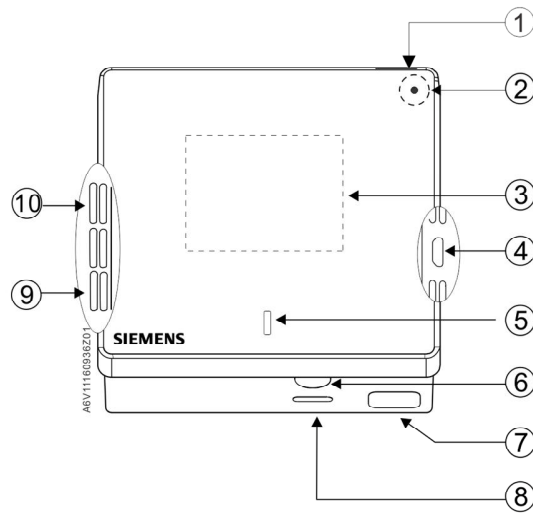
Type	Order number	Description	Display
QSA2700	S55720-S457	Room sensor for detection of PM2.5 and PM10	3-color LED service indication
QSA2700D	S55720-S458	Room sensor with LCD display for detection of PM2.5 and PM10	2.4-inch color LCD screen for PM2.5 values, Air Quality Index, and service
AQS2700	S55720-S459	Sensor module for replacement	


Order and delivery

When ordering, provide the name and type reference, e.g.: fine dust room sensor QSA2700.

Each product includes 1 fine dust room sensor (with a pre-installed AQS2700), 1 plastic mounting plate and 2 screws.

Device overview



1	Hole for wiring (top) for surface mounting
2 [QSA2700 only]	LED
3 [QSA2700D only]	LCD display
4	 (power supply for display only)
5 [QSA2700D only]	Proximity sensor
6	Push button
7	Hole for wiring (bottom) for surface mounting
8	Hole for attaching the mounting plate to the housing
9	Air outlet
10	Air inlet

LED colors and patterns (QSA2700)

Color	Pattern	Description
Green	Permanently on	Working properly, Modbus configured
Yellow	Permanently on	Working properly, Modbus with factory settings
Red	Permanently on	Error 1, replace sensor module
Red	Flashing (0.5 s on / 0. 5 s off)	Error 2, communication error
Red / yellow	Flashing (0.5 s red / 0. 5 s yellow)	Possible inaccurate measurement

Modbus configuration

The device is configurable by a Modbus master device. After changing the parameters, turn off the device and on again to activate the changes. Configure the device before mounting. Refer to Modbus registers [→ 10] for more information.

Push button operations for Modbus resetting and Climatix™ plug&play configuration

Press the push button to automatically reset and configured via Climatix™ controllers with pre-programmed plug&play configuration.

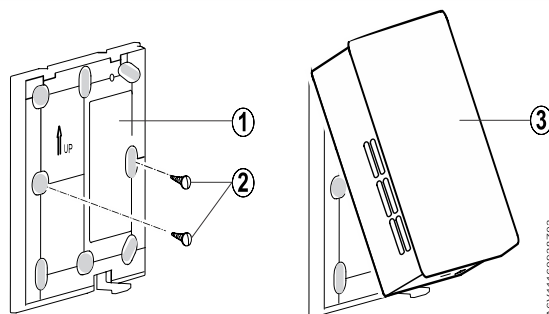
QSA2700:

Press the button for	LED	Action	More details
1...5 s	Constant red	Keep pressing	
5...10 s	LED off	Release the button to configure the device via the Climatix™ controller automatically (Climatix™ plug&play concept)	LED flashes for 30 s after you release the button, waiting for the configuration via Modbus: <ul style="list-style-type: none"> • If successful, the LED flashes green for 60 s, then turns to permanent green • Otherwise, the LED turns back to its original state
10...13 s	Flash yellow	Release the button to reset the device to factory default	Release the button while the LED still flashes yellow. The LED keeps flashing yellow for 3 s, then turns red for 1s, before turning to permanent yellow (the reset is complete).
>13 s	Returns to the initial status	Resetting cancelled	

QSA2700D:

1. From the normal display page, press the push button for 2-10 s to enter the Modbus parameter page.
2. Then press the button for 2-10 s to enter the page for Climatix™ plug&play configuration and Modbus configuration resetting.
3. Select the desired operation by short pressing the button.
4. Activate the operation by pressing the button for:
 - 5-10 s, to configure the device via Climatix™:
 - 10-20 s, to reset the Modbus settings.

Mechanical design



1	Mounting plate
2	Two screws
3	Fine dust room sensor


Product documentation

Topic	Title	Document ID:
Installation, basic operation, parameters	Mounting instructions	A6V11160930
Operation, maintenance, troubleshooting	Basic documentation	A6V11160936
CE declaration	CE declaration	A6V11277342
Product environmental declaration	Product environmental declaration	A6V11284595

All documentation can be downloaded at <http://siemens.com/bt/download>.

Notes

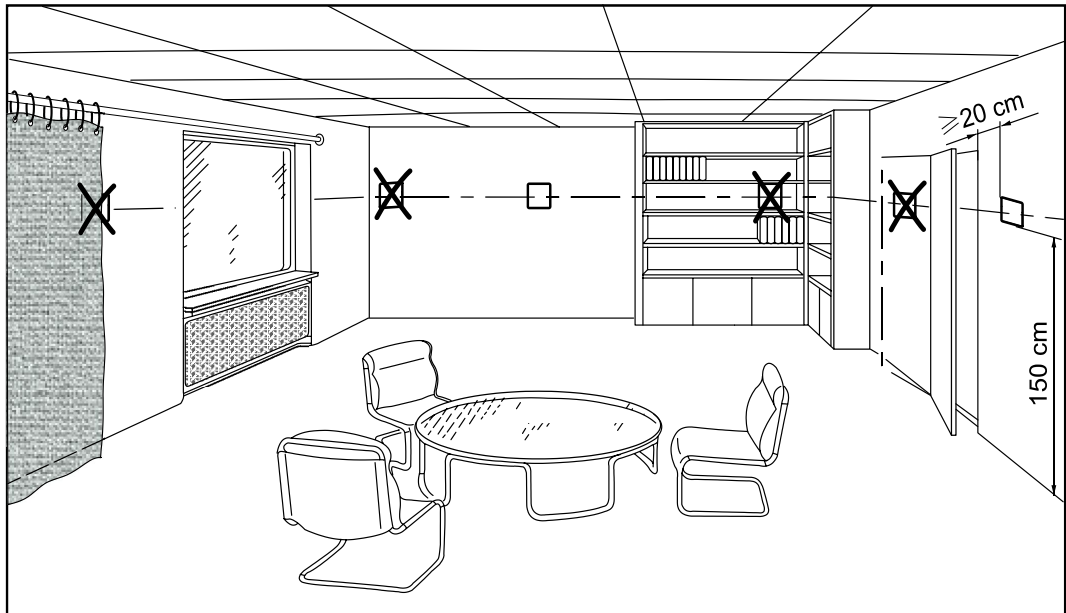
Security

	⚠ CAUTION
	National safety regulations Failure to comply with national safety regulations may result in personal injury and property damage <ul style="list-style-type: none">• Observe national provisions and comply with the appropriate safety regulations.

Engineering notes

Shielded cables must be used in environments with EMC problems.
Twisted pair cables are required for the secondary supply lines and the signal lines.

Mounting



- The sensor is suitable for conduit box mounting, dry wall mounting (with mounting hole for wires concealed) and surface mounting.
- The recommended height is 1.2-1.5 m above the floor, especially for type with display.
- Do not mount the sensor in recesses, shelves, behind curtains or doors, or above heat sources.
- Avoid direct solar radiation.
- Seal the conduit box or the installation tube if any, as air currents can affect sensor readings.
- Make sure ambient conditions are within 0...50 °C and 5...95% r.h. (no condensation).
- Do not mount device in places full of oil smog, e.g. in a kitchen.
- Peel off the protective film on air inlet and air outlet before using.
- The air inlet and outlet must be free of any blockage, particularly the floc type of dirt.

Proximity sensor

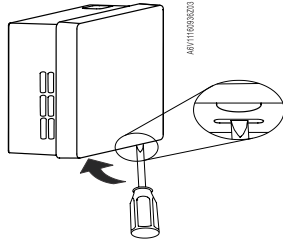
- QSA2700D includes a built-in proximity sensor and enters into energy efficient mode if no person is detected in front of the sensor (approximately 1 m) over the past few minutes. In energy efficient mode, the screen is off and the sensor is working and transmitting the signals at regular intervals. Otherwise, the screen is activated and the sensor is in continuous working mode.
- QSA2700 has no proximity sensor and is working continuously.
- Keep the proximity sensor area clean as dirt may affect the detection performance.

Replacing AQS2700

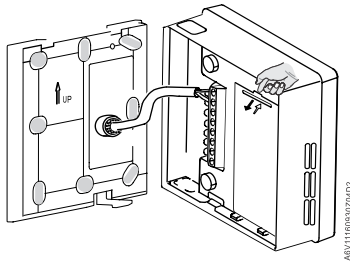
Sensor module accuracy is influenced by ambient environment. We recommend to replacing the module every 1 to 3 years depending on the local environment. In environments with continuously high PM2.5 concentrations (i.e. greater than 300 $\mu\text{g}/\text{m}^3$, e.g. a smoking room), replace the module more often.

To replace the sensor module:

1. Detach the housing from the mounting plate using a screw driver.



2. Take off the module by hand and replace it with a new one.



NOTICE

Turn off the device before replacing the sensor module.

If not possible, insert a new sensor module 10 s after the old one is removed.

Disposal



The device is considered electrical and electronic equipment for disposal in terms of the applicable European Directive and may not be disposed of as domestic garbage.

- Dispose of the device through channels provided for this purpose.
- Comply with all local and currently applicable laws and regulations.

Technical data

Power supply

Operating voltage	AC 24 V \pm 20% / DC 13.5...35 V
Frequency	50/60 Hz @ AC 24 V

Functional data for PM2.5

Measuring range	0...500 μ g/m ³
Unit to unit variability	Max of \pm 15 μ g/m ³ and \pm 15% of reading @ 25 °C and 50% r.h.
Analog output signal, (terminal U1)	DC 0...10 V, linear, corresponding to 0...500 μ g/m ³

Functional data for PM10

Measuring range	0...500 μ g/m ³
Unit to unit variability	Max of \pm 15 μ g/m ³ and \pm 15% of reading @ 25 °C and 50% r.h.
Analog output signal, (terminal U2)	DC 0...10 V, linear, corresponding to 0...500 μ g/m ³

Connections

Interface	
Micro USB	5 v power connection for display only

Wiring connections	
Screw terminals	Solid wires or prepared stranded wires: 0.4...1.5 mm ²
Slotted screws	Size 1, tightening torque 0.6 Nm (0.44 lb-ft).
Wiring lengths for signals.	600 meters

Communication

Communication Protocol	RS485 ModBus
Transmit Mode	RTU
Baud rate (configurable)	9600, 19200 (default), 38400 and 57600 BPS
Modbus address (configurable)	1(default)...247
Data	8 bits (0...255)
Parity (configurable, following the Transmission Format)	No Parity or Odd or Even (default)
Stop bits (configurable, following the Transmission Format)	1 (default) or 2
Max. cable length	1000 m (\pm 200 m)
Identity	Slave

Transmission Format (start bit - data bits – parity – stop bit)	0=1-8-E-1 (default) / 1=1-8-O-1/ 2=1-8-N-1 / 3=1-8-N-2
Bus Termination	No
Reset button	Yes

Modbus registers

Holding Register No.	Name	Description	Default	R/W
257	PM2.5 value	Range: 0...500		R
258	PM10 value	Range: 0...500		R
260	Sensor working status	0: Normal; 1: Replace sensor module; 2: Communication error		R
296	Software version	Major version		R
297	Software version	Minor version		R
298	Software version	Build version		R
764	Modbus address	1...247	1	R / W
765	Baud rate	1= 9600bps / 2 = 19200bps / 3 = 38400bps / 4 = 57600bps	2	R / W
766	Transmission format (start bit – data bits – parity – stop bit)	0 = 1-8-E-1 / 1 = 1-8-O-1 / 2 = 1-8-N-1 / 3 = 1-8-N-2	0	R / W
768	Bus configuration command	0 = Ready / 1 = Load / 2 = Discard	0	R / W

Remarks:

- The register number is counted from 1.
- In the event the value for register number 764 (Modbus address), 765 (Baud rate), or 766 (Transmission format) changes, power off the device and turn it on again to activate the changed value.
- Register number 768 (Bus configuration command) is for Climatix™ plug&play configuration.

Housing protection class

Degree of protection of housing	IP30
---------------------------------	------

Operation conditions

Temperature	0...50 °C
Humidity	5...95% r.h. (no condensation)

Storage and transportation conditions

Temperature	-20...70 °C
Humidity	0...95% r. h. (no condensation)

Standards

Electromagnetic compatibility	CE standard EN 60730-1
Immunity	EN 61 000-6-2
Emissions	EN 61 000-6-3
EU conformity declaration	A6V11277342 *)

*) The document can be downloaded at <http://siemens.com/bt/download>.

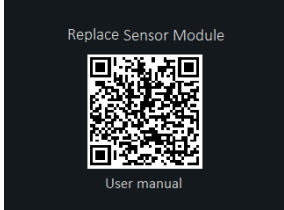
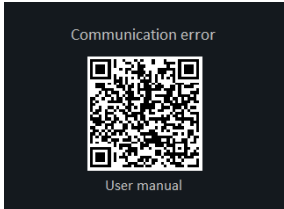

General data

Color	White
Weight	140 g

Display (QSA2700D)

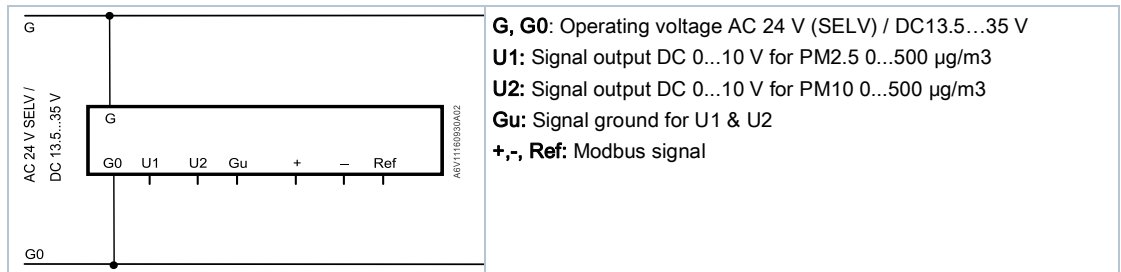
Screen	Color, no touch
Working status	Only active when people in front within 1 m ($\pm 10\%$); screen turns off after a few minutes if no presence is detected
Resolution	1 $\mu\text{g}/\text{m}^3$ increments
Display	Display PM2.5 value (if value > 500 $\mu\text{g}/\text{m}^3$, then display 500+ $\mu\text{g}/\text{m}^3$) Air Quality Index corresponding to measured PM2.5 value
Language (selectable)	English, Chinese (simplified), German, French

Error info

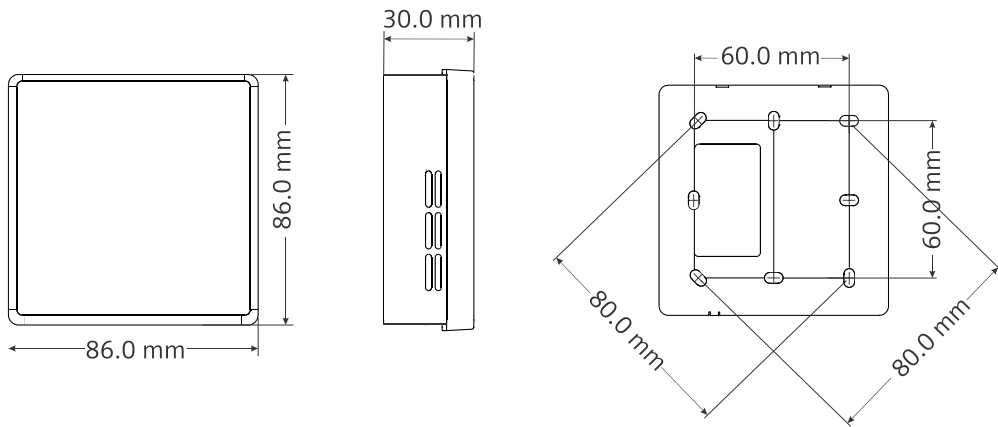
Error info	0-10 V output	Modbus	LED indication	LCD
Replace sensor module	Present 0 V (2 s) and 10 V (2 s) one by one in turn	Value of register 260 changes from 0 to 1	Red permanently on	
Communication error	Present 0 V (5 s) and 10 V (2 s) one by one in turn	Value of register 260 changes from 0 to 2	Red flashing (0.5 s on / 0.5 s off)	
Warning for possible inaccurate measurement	Present the measured value	Value of register 260 remains 0 without change	Red / yellow flashing (0.5 s red / 0.5 s yellow)	

Diagrams

Wiring



Dimensions



A6V11160930A00

Issued by
Siemens Switzerland Ltd
Building Technologies Division
International Headquarters
Gubelstrasse 22
CH-6300 Zug
Tel. +41 58 724 2424
www.siemens.com/buildingtechnologies

© Siemens Switzerland Ltd, 2017
Technical specifications and availability subject to change without notice.

Document ID A6V11160938_en--_b
Edition 2018-01-23